



CUSTOMER TECHNICAL BULLETIN

CTB-208

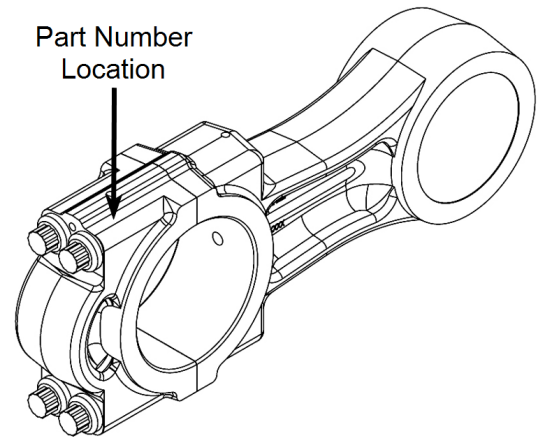
ECN: 019144

VER: 1 - 11/26/13

Product Improvement for JGC:D Frames

Beginning July 6, 2011, Ariel will ship all JGC:D frames with improved running gear components to increase operational flexibility and extend bearing life. Ariel has supplied these components in select units prior to this production release.

NOTE: When replacing components on all frames, it is important to check part numbers on all components prior to ordering or installing replacement parts. While similar in appearance, the improved components are NOT completely interchangeable. Apart from the frame serial number, the part number on the top of a connecting rod is the only way to determine if a unit is equipped with improved components. This improvement does not affect torque values or running clearances.



See the chart below for prior production vs current production components.

Description	Connecting Rod Part Number	Connecting Rod Half Shell Bearing Part Number	Crosshead Bushing Part Number	Crosshead to Use
Prior Production Running Gear with Bronze Bushing	AD-4131	B-3995	B-1449	Drilled or Non-Drilled
			B-5905	
Prior Production Running Gear with Aluminum Bushing	AD-4562	B-4002	B-1712	
			B-5888	
Current Production Running Gear with Bronze Bushing	AD-5197 EP-1784	B-4821	B-5905	Drilled ONLY
Current Production Running Gear with Aluminum Bushing	AD-6018	B-5887	B-5888	

Current production drilled crossheads have improved oil flow through wider, deeper oil grooves and cross drilling. Though the crosshead part numbers have changed, they are interchangeable with prior production non-drilled crossheads used with drilled connecting rods and grooved bearings.

NOTE: Prior production non-drilled crossheads CANNOT be used with current production connecting rods and bearings.



CUSTOMER TECHNICAL BULLETIN

CTB-208

ECN: 019144

VER: 1 - 11/26/13

Contact Ariel with your frame serial number for questions concerning this improvement or if you are unsure of components installed in your Ariel frame.

DATE:	VER:	ECN:	DESCRIPTION:
11/26/13	1	019144	Transferred document to Flare